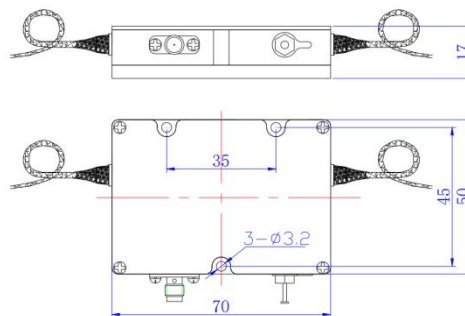


1064 nm integrative fiber AOM series (AOM+Drive)

Product Overview:	Integrated drivers and devices are integrated products with higher integration degree, smaller volume and high frequency stability.
Performance characteristics:	<ul style="list-style-type: none"> ● Integrated package ● Low insertion loss ● Low power consumption ● High temperature stability and reliability
Application area:	<ul style="list-style-type: none"> ● Q-switched fiber laser ● Laser Doppler coherent application ● Ultra fast laser frequency reduction menu ● Linear frequency modulation
Ordering Information:	(This indicator is a typical optical wavelength indicator, and other wavelengths and frequencies can be selected)

Parameter	Unit	"D" means digital modulation, "A" means analog modulation		
		SGTF80-1064-1TP-2A SGTF80-1064-1TP-2D	SGTF150-1064-1TP-2A SGTF150-1064-1TP-2D	SGTF200-1064-1TP-2A SGTF200-1064-1TP-2D
Specifications of modulation input interface				
Modulation mode	-	Digital modulation (high level 3.3-5V; low level 0-0.2V@1k Ω) Analog modulation (A1: 0-1V@50 Ω)		
Interface	-	SMA		
Complete machine specification				

Wavelength	nm	1030-1080		
Shift frequency	MHz	80	150	200
Insertion loss	dB	<2.5	<3.5	<4.5
Rise time	ns	<40	<25	<12
Fiber type	-	PM980(PM) 、 HI1060(SM) or others		
On - off extinction ratio	dB	≥ 50		
Polarization extinction ratio (PM device)	dB	≥ 20		
Polarization dependent loss (SM device)	dB	<0.5		
Optical power	W	≤ 0.5		
Fiber length	m	≥ 1		
Optical fiber connector	-	FC/APC		
Maximum power consumption	W	3@Duty cycle1%		
Working voltage	Vdc	12 \pm 0.5		
Maximum current	A	0.8		
Power interface	-	Through core capacitance (core wire is connected to positive, solder lug is connected to negative)		



封装 FC