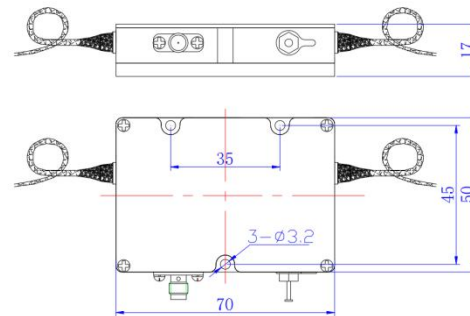




1550 nm integrative fiber AOM series (AOM+Drive)

Product Overview:	Integrated drivers and devices are integrated products with higher integration degree, smaller volume and high frequency stability.				
Performance characteristics:	●Integrated package ●Low insertion loss ●Low power consumption ●High temperature stability and reliability				
Application area:	●Q-switched fiber laser ●Laser Doppler coherent application ●Ultra fast laser frequency reduction menu ●Linear frequency modulation				
Ordering Information:	(This indicator is a typical optical wavelength indicator, and other wavelengths and frequencies can be selected))				
Parameter	Unit	"1TP" represents polarization maintaining integration, "1T" represents single-mode non polarization maintaining integration, "D" represents digital modulation, and "A" represents analog modulation			
		SGTF40-1550-1TP-2A SGTF40-1550-1TP-2D	SGTF80-1550-1TP-2A SGTF80-1550-1TP-2D	SGTF150-1550-1TP-2A SGTF150-1550-1TP-2D	SGTF200-1550-1TP-2A SGTF200-1550-1TP-2D
Modulation input interface specification					
Modulation mode	-	Digital modulation (high level 3.3-5V; low level 0-0.2V@1k Ω) Analog modulation (A1: 0-1V@50 Ω)			
Interface	-	SMA			
Specification of complete machine					
Wavelength	nm	1530-1570			
Shift frequency	MHz	40	80	150	200

Insertion loss	dB	<2.5	<3	<3.5	<5
Rise time	ns	<60	<50	<25	<12
Fiber type	-	PM1550(PM) SMF28e(SM)			
On - off extinction ratio	dB	≥ 50			
Polarization extinction ratio (PM device)	dB	≥ 20			
Polarization dependent loss (SM device)	dB	<0.5			
Optical power	W	≤ 0.5			
Fiber length	m	≥ 1			
Optical fiber connector	-	FC/APC			
Maximum power consumption	W	3@Duty cycle1%			
Working voltage	Vdc	12 \pm 0.5			
Maximum current	A	0.8			
Power interface	-	Through core capacitance (core wire is connected to positive, solder lug is connected to negative)			



封装 FC