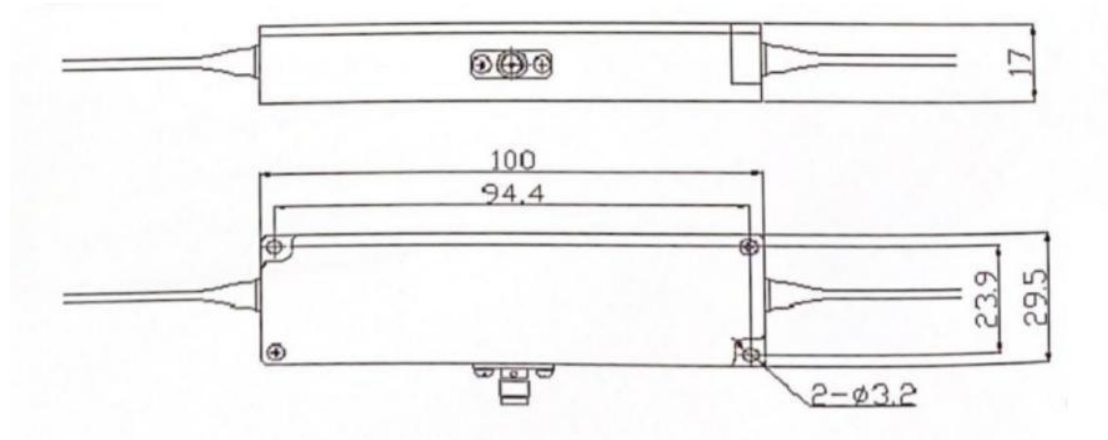


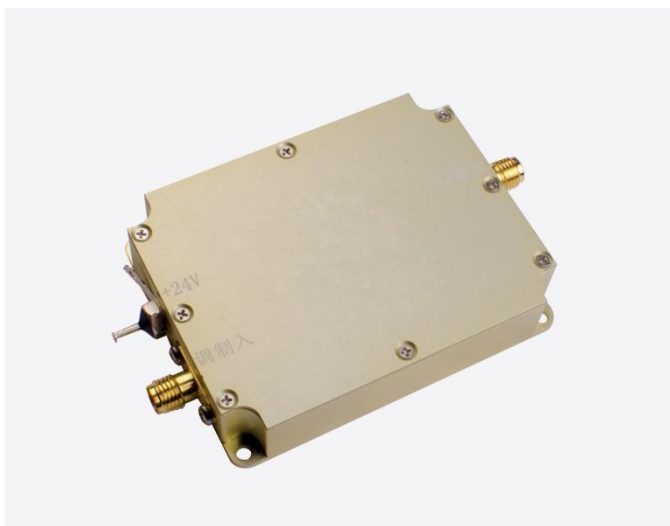
1550nm fiber AOM (High power series)

Parameter	Unit	Single mode fiber is represented by "1", and single mode polarization maintaining fiber is represented by "1P".				
		SGTF80-1550-1FG SGTF80-1550-1PFG	SGTF120-1550-1FG SGTF120-1550-1PFG	SGTF150-1550-1FG SGTF150-1550-1PFG	SGTF200-1550-1FG SGTF200-1550-1PFG	SGTF300-1550-1FG SGTF300-1550-1PFG
Insertion loss	dB	<2.5	<2.5	<3.5	<4.5	<5
Rise time	ns	< 50	<45	< 20	<12	<10
shift frequency	MHz	80	120	150	200	300
3dB frequency shift bandwidth	MHz	>15	>20	>30	>40	>60
Wavelength	nm	1530-1570				
Optical power	W	$\leq 5W$				
On - off extinction ratio	dB	≥ 50				
Polarization extinction ratio (PM device)	dB	≥ 20				
Polarization dependent loss (SM device)	dB	<0.5				
Driving power	W	<2				
Fiber type	-	PM1550(PM) 、SMF28e(SM) or others				

Optical fiber connector	-	FC/APC
RF input joint	-	SMA
Fiber length	m	>1
Input impedance	Ω	50
VSWR	-	<1.3:1
Package	-	FG



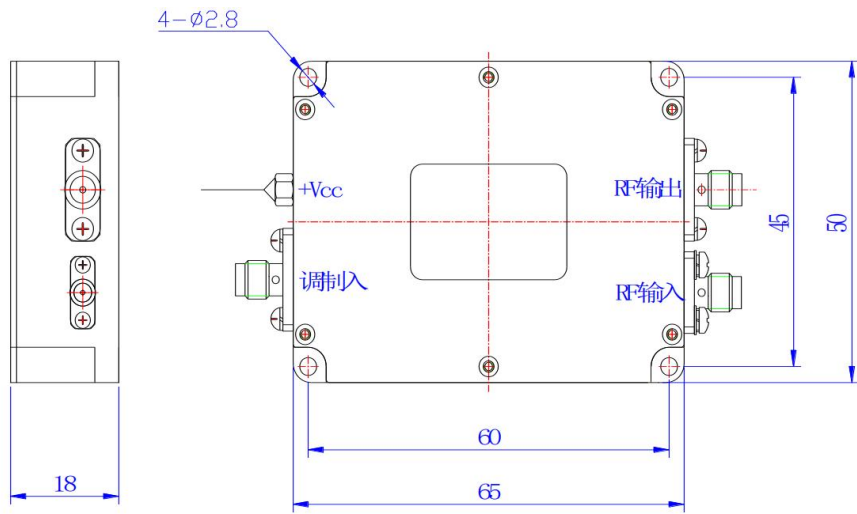
Package FG



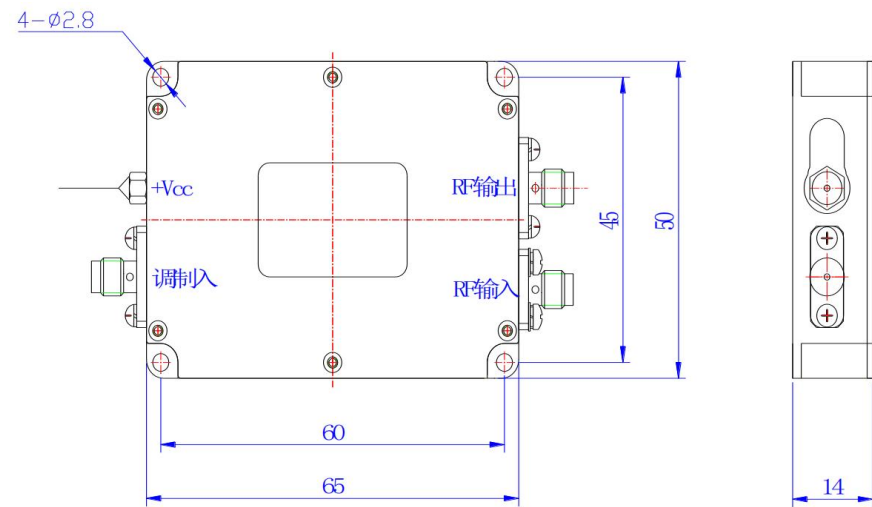
Low-power N-type acousto-optic driver

Product Overview:	<p>Product overview: acousto-optic driver is a RF driver that provides supporting functions for acousto-optic device products. It is applicable to acousto-optic modulator and frequency shifter products with driving power less than 3W. The RF signal generated by the driver is used to generate ultrasonic waves in the crystal of the acousto-optic device. The frequency and intensity of the RF signal applied will determine the degree to which the beam is modulated, deflected or tuned. The drive has good heat dissipation, and the use of matched drive will bring better temperature stability.</p>					
Performance characteristics:	<ul style="list-style-type: none"> ● Small size ● Fast response time ● Low power consumption ● High temperature stability and reliability 					
Supporting drive	-	<p>Model (SGXXXX-33-N-ab) "X" - use "Y" for frequency shift function, and "T" for modulation function; "XXX" - operating frequency "33" refers to RF output power; "N" indicates the package type; "A" - use "1" for power supply voltage 24V, "2" for power supply voltage 12V; "b" - use "D" for digital TTL modulation, and "A" for analog modulation.</p>				
		SGT80-33-N-1D	SGT120-33-N2-1D	SGT150-33-N2-1D	SGT200-33-N-1D	SGT300-33-N2-1D
		SGT80-33-N-1A1	SGT120-33-N2-1A1	SGT150-33-N2-1A1	SGT200-33-N-1A1	SGT300-33-N2-1A1
SGT80-33-N-1A5	SGT120-33-N2-1A5	SGT150-33-N2-1A5	SGT200-33-N-1A5	SGT300-33-N2-1A5		
Specifications of modulation input interface						
Modulated signal input	-	<p>Digital modulation (high level 3.3-5V; low level 0-0.2V@1k Ω) Analog modulation (A1: 0-1V@50 Ω) Analog modulation (A5: 0-5V@1k Ω)</p>				
Interface	-	SMA				
RF output interface specification						

Output signal frequency	MHz	80	120	150	200	300
Frequency stability	ppm	20 (1 Special)				
Output signal power	W	<2				
Rise and fall time	ns	<25	<25	<20	<10	<8
Switching ratio	dB	≥60				
Harmonic suppression ratio	dBc	>25				
Signal output standing wave ratio	-	≤1.3				
Interface	-	SMA				
Complete machine specification						
Maximum power consumption	W	10				
Working voltage	Vdc	24±1V (Optional 12±0.5V)				
Power interface	-	Through core capacitance (core wire is connected to positive, solder lug is connected to negative)				
Package	-	N/N2				



Package N



Package N2