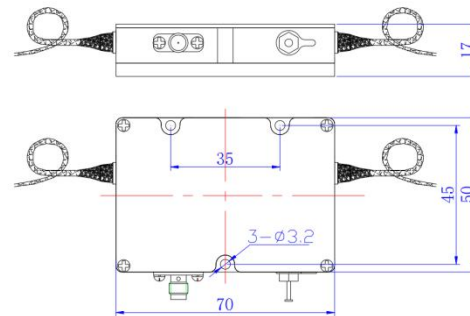




## 1550 nm integrative fiber AOM series (AOM+Drive)

<b>Product Overview:</b>	Integrated drivers and devices are integrated products with higher integration degree, smaller volume and high frequency stability.				
<b>Performance characteristics:</b>	<ul style="list-style-type: none"> <li>●Integrated package</li> <li>●Low insertion loss</li> <li>●Low power consumption</li> <li>●High temperature stability and reliability</li> </ul>				
<b>Application area:</b>	<ul style="list-style-type: none"> <li>●Q-switched fiber laser</li> <li>●Laser Doppler coherent application</li> <li>●Ultra fast laser frequency reduction menu</li> <li>●Linear frequency modulation</li> </ul>				
<b>Ordering Information:</b>	(This indicator is a typical optical wavelength indicator, and other wavelengths and frequencies can be selected))				
<b>Parameter</b>	<b>Unit</b>	"1TP" represents polarization maintaining integration, "1T" represents single-mode non polarization maintaining integration, "D" represents digital modulation, "A" represents analog modulation, and "H" stands for high performance			
		SGTF40-1550-1TP-2A SGTF40-1550-1TP-2D	SGTF80-1550-1TP-2A SGTF80-1550-1TP-2D	SGTF150-1550-1TP-2A SGTF150-1550-1TP-2D	SGTF200-1550-1TP(H)-2A SGTF200-1550-1TP(H)-2D
<b>Modulation input interface specification</b>					
<b>Modulation mode</b>	-	Digital modulation (high level 3.3-5V; low level 0-0.2V@1k Ω) Analog modulation (A1: 0-1V@50 Ω)			
<b>Interface</b>	-	SMA			
<b>Specification of complete machine</b>					
<b>Wavelength</b>	nm	1530-1570			
<b>Shift frequency</b>	MHz	40	80	150	200

Insertion loss	dB	<2.5	<3	<3.5	<3
Rise time	ns	<60	<50	<25	<12
Fiber type	-	PM1550(PM) SMF28e(SM)			
On - off extinction ratio	dB	$\geq 50$			
Polarization extinction ratio (PM device)	dB	$\geq 20$			
Polarization dependent loss (SM device)	dB	<0.5			
Optical power	W	$\leq 0.5$			
Fiber length	m	$\geq 1$			
Optical fiber connector	-	FC/APC			
Maximum power consumption	W	3@Duty cycle1%			
Working voltage	Vdc	12 $\pm$ 0.5			
Maximum current	A	0.8			
Power interface	-	Through core capacitance (core wire is connected to positive, solder lug is connected to negative)			



封装 FC